

GENERAL PUMP *A member of the Interpump Group*

Mobile Clutch

For 24mm Solid Shaft Pump

Typical Mobile Clutch - Water Pump Applications In typical water pump applications, the clutch is mounted on the input shaft of the water pump. Since the clutch has an integral pulley, a belt is used as the input to the clutch. This belt is normally driven directly from an electric motor or a gas/diesel engine. When there is no power to the clutch, the water pump does not engage; however when power is activated, the clutch drives the water pump to initiate water flow. In this application, the GP clutch is mounted directly to a General Pump by using an adapter plate.

Used in Carpet Cleaning, Texture Spray Machines, High Pressure Pump applications.

**SPECIFICATIONS**

Pulley Size & Type	7" - A Groove, 24mm Shaft
Width	2.25"
Torque After Burnishing	75 - 95 lbs.
Power Requirement:	12V 47 Watts 24V 45.6 Watts
Weight	8 lbs.

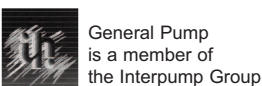
Part Number	Description
100687	Clutch w/Mounting Plate
100688	Clutch w/Mounting Plate
100719	Clutch w/Mounting Plate
100720	Clutch w/Mounting Plate
100717	Clutch w/Mounting Plate
100718	Clutch w/Mounting Plate

Reasons for using an Electromagnetic Clutch

- Reduced horsepower consumption from the engine
- Extended pump life
- Operator convenience
- Less Cost
- Simple installation
- Cold weather starting

General Pump Mobile Clutch Design Advantages

- **Solid forged rotor.** A one-piece solid forged rotor means no chance of internal parts separation. They have an even wall thickness around the coil which gives optimum flux distribution, maximizing torque.
- **Different coil voltages available.** 12 volt is the most common; 24 volt clutches are also available.
- **High temperature, longer-life grease.** Our special long-life grease has shown a significant improvement in life over other standard high temp greases.
- **E-coating.** Where possible, all parts in the clutch are e-coated to give maximum corrosion protection.
- **High-temperature epoxy coil.** To help prevent failure from vibration and outside contaminants, all coils are sealed in the coil shell with a high-temperature epoxy coating.
- **Forged machined pulley.** All GP models use a heavy-duty machined pulley. A stronger pulley resists damage due to abusive environments.
- **Clutches are also available mounted on a General Pump. Please contact your sales representative.**



Mobile Clutch

For 24mm Solid Shaft Pump

GENERAL PUMP *A member of the Interpump Group*



DIMENSIONS

Fig. 1

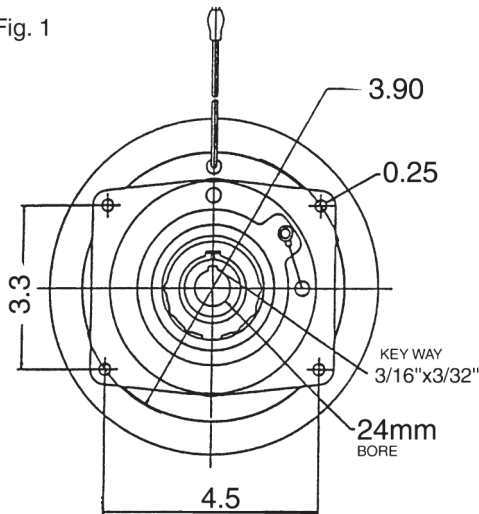


Fig. 2

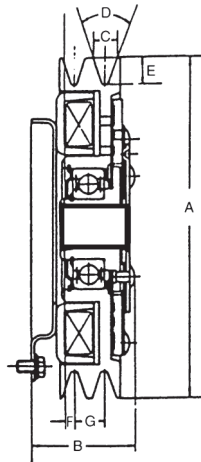
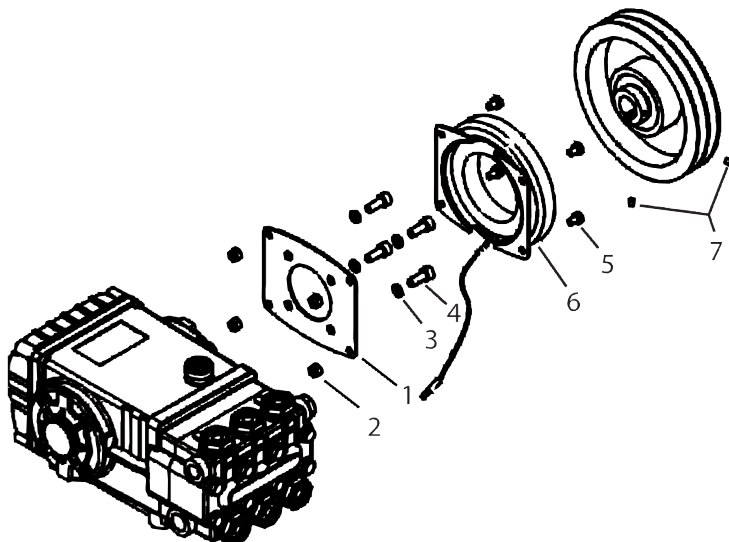


Fig. 2 Dimensions

A	7"
B	2.08"
C	0.5"
D	36 Deg.
E	0.56"
F	0.19"
G	0.62"

Parts List



No.	Part No.	Description	Qty.
1	540047 540048	Adapter Plate, 47 Series Adapter Plate, 44, 50, 63 Series	1
2	203201	Nut, Nylon	4
3	96701400	Washer	4
4	200046	Socket, Cap Screw (47 Series Only)	4
5	201004	Hex, Cap Screw	4
6	103053 103054 103048	Clutch, 2-groove, 12V Clutch, 2-groove, 24V Clutch, 1-groove, 12V	1
7	200051	Set Screw, Knurled Cup Point, M5 x .8 x 6mm	2

GENERAL PUMP 1174 Northland Drive • Mendota Heights, MN 55120
Phone: (651)686-2199 • Fax: (800)535-1745 • e-mail: sales@gpcompanies.com • www.generalpump.com

Ref 300189 Rev. D
08-08

